

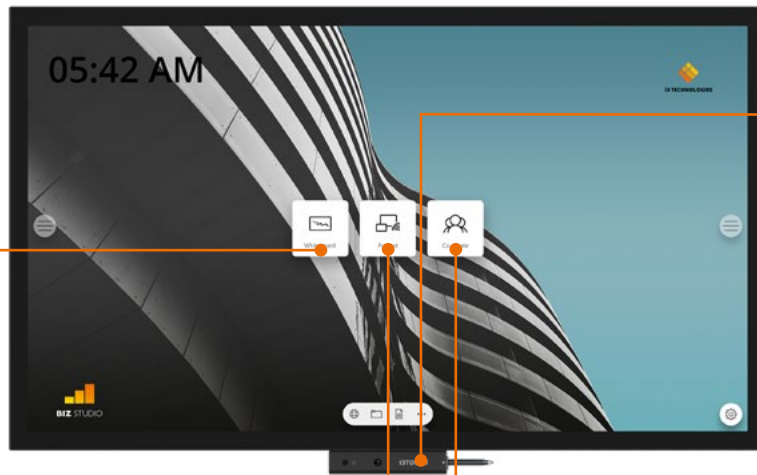
i3TOUCH PXr Truly versatile.

Add flexibility with a rotatable wall mount

Thanks to the gyroscope sensor and adaptive user interface you can mount the i3TOUCH PXr on a rotatable wall mount allowing you to adapt your workflow on the fly to all circumstances.

Work in your familiar Windows environment

Thanks to the integrated OPS PC slot you can combine the i3TOUCH PXr with a Windows PC and benefit from the unique combination of a Windows environment on a rotatable display.



Jot down ideas, share with everyone

Create, capture and share your ideas or notes on a whiteboard. Share your notes instantly via email, USB or QR code.

Never run out of battery power

Always have a fully charged pen thanks to the integrated charging station, which also serves as a convenient place to store your pen.

Present wirelessly from any device.

Present your screen wirelessly from any device on the i3TOUCH PXr. All you need is the free app or hardware transmitter.

available with



Co-create / Learnhub

BIZ Studio users can access i3Campfire or collaboration software of your choice, EDU Studio users have quick access to i3Learnhub.



Write naturally

Thanks to the optical bonding inside the panel, the i3TOUCH PXr is able to achieve a highly natural and precise writing experience.



Expand the capabilities of your laptop with one cable.

Use the interactive display's speakers and camera by connecting your laptop to the screen with a USB-C cable. Just one cable for audio, video, power, and touch. Enjoy having access to all the tools connected to the display, such as the webcam or mic, straight from your laptop.



Energy efficient

The eco-friendly design comes with an extremely low power consumption, resulting in a A+ Energy label.



Active pen

The ergonomic pen detects different levels of pressure and automatically activates the writing function in Windows ink supported apps as Microsoft Office 365.



Impress with strong craftsmanship

The ultra-slim bezel and aluminium accents along with the sturdy craftsmanship create a pleasing high-end aesthetic.



Intuitive interface

With the intuitive side menu, you can navigate directly to whiteboarding, presenting and other apps without having to go to the main menu.

PRODUCT INFORMATION
55"
65"

| | | |
|----------------|--|---------------|
| Model name | i3TOUCH PX55r | i3TOUCH PX65r |
| Product series | i3TOUCH PX - Interactive Flat Panel Displays | |

DISPLAY SPECIFICATIONS

| | | |
|---------------------------|--|---------|
| Panel technology | In-Plane Switching Liquid Crystal Display (IPS LCD) | |
| Panel active screen size | 55 inch | 65 inch |
| Display aspect ratio | 16:9 | |
| Display native resolution | 3840 x 2160 pixels - 4K Ultra High Definition | |
| Brightness | 350 cd/m ² | |
| Contrast ratio | 4000:1 | |
| Color Gamut | 85% NTSC | |
| Colour depth | 1.073 billion colors (10 bit) | |
| Response time (typ.) | 6 ms | |
| Refresh rate | 60 Hz (@ UHD) | |
| Supported orientation | landscape & portrait | |
| Glass | 4 mm Anti-Glare Tempered glass, optically bonded (zero airgap) | |
| Life time | 50.000h | |
| viewing angle | 178° / 178° | |

CONNECTIVITY

| | | |
|----------------------------|---|--|
| Digital audio-video inputs | 3x HDMI 2.0, USB-C x 1 | |
| Digital audio-video output | 1x HDMI 2.0 | |
| Analogue audio-video input | 1x audio jack (3.5 mm TRS connector) | |
| Analogue audio output | 1x audio jack (3.5 mm TRS connector) | |
| USB data ports | USB 2.0 x 1, USB 3.0 x 2 | |
| Integrated PC slot | OPS-PC slot (JAE TX24 connector) | |
| Control input | 1x COM DE-9 (RS-232C standard) | |
| Network | LAN: RJ-45 in x1, RJ-45 out x1 | |
| | Wi-Fi: 2.4 / 5 GHz (IEEE 802.11 a/b/g/n/ac) | |
| Integrated loudspeakers | 2x 15 Watt | |
| Charge station for stylus | integrated | |

OPERATIONAL FEATURES

| | | |
|-------------------------|--|--|
| Operating System | Android™ 8.0 | |
| Architecture | CPU: A73 x 2 + A53 x 2 | |
| | GPU: MaliG51 x 4 | |
| | RAM: 3GB | |
| | ROM: 32GB | |
| | Gyroscope sensor | |
| Interactive touch | Projected Capacitive Touch recognition | |
| | Input Detection: 20 touch inputs Multiple writing: max. 5 | |
| | Touch Connection: 1x USB-B | |
| | Recognition: Finger (size ≥ 10 mm) or capacitive stylus (3.0 ± 0.1 mm) | |
| | Response time: < 10 ms | |
| | Accuracy: ± 1 mm | |
| Supported Compatibility | Windows, Android, MacOS X, Linux, Chrome OS | |
| Maximum operating hours | 18 hours / day | |
| Ambient light sensor | Stand by | |

SOFTWARE FEATURES**55"****65"**

| | |
|-----------|--|
| i3NOTES | Whiteboarding application |
| | Share you content wirelessly from any device by using the Windows app (min. Windows 7), the MAC OSX app (min. OSX 10.10), AirPlay for iOS and the Android (min. Android 5.0). Wireless touch function and audio transmission on Windows & OSX |
| | Split View with up to 4 simultaneous transmitting devices |
| i3ALLSYNC | Full HD resolution |
| | Wireless touch function on Windows and Mac OS |
| | RemoteView (up to 64 devices can follow the presentation via webinterface) |
| | Annotate on all shared screens |

ELECTRICAL PROPERTIES

| | | |
|-------------------------------|---------------------------|------|
| Power voltage | 100 ~ 240 Volt - 50/60 Hz | |
| Power consumption (standby) | 0.5W | 0.5W |
| Power consumption (operation) | 110W | 143W |
| Extra energy saving features | Ambient Light Sensor | |

ENVIRONMENTAL CONDITIONS

| | | |
|-----------------------|------------------------------|--|
| Operating temperature | 0° C to 40° C | |
| Operating humidity | 10% to 90% RH non-condensing | |
| Storage temperature | -20° C to 40° C | |
| Storage humidity | 10% to 90% RH non-condensing | |

PHYSICAL PROPERTIES

| | | |
|----------------------------|---------------------------------------|----------------------|
| Product dimensions | 1310 x 789 x 75 mm | 1536 x 923 x 84 mm |
| Packaging Size (L x H x W) | 1387 x 893 x 217 mm | 1695 x 1053 x 223 mm |
| Mounting Pattern | Vesa 400 x 400 mm | Vesa 400 x 600 mm |
| Weight Net (lb/kg) | 35 kg | 48 kg |
| Weight Gross (lb/kg) | 48 kg | 62 kg |
| Color | Black front bezel, black back cabinet | |

WARRANTY

| | |
|-------------------|--|
| Standard Warranty | Standard Warranty 3 years (Can be extended to 5 or 7 years.) |
|-------------------|--|

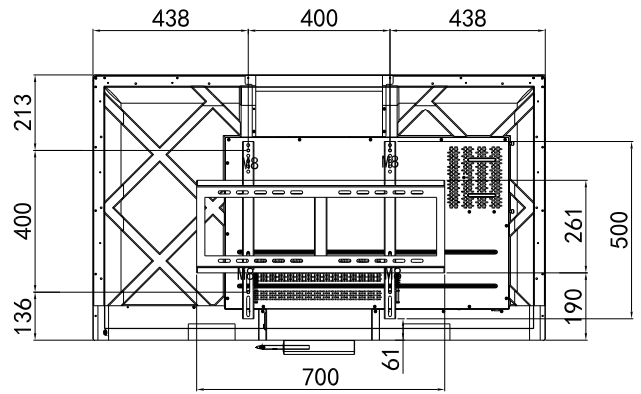
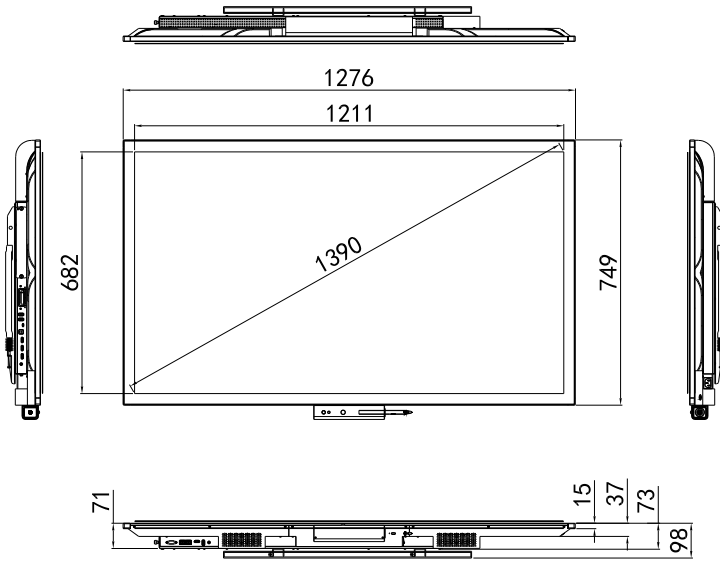
ACCESSORIES

| | |
|----------|---|
| Included | Power cord x 1, 2m, Active stylus x 1, Remote control x 1, AAA battery (for remote control), Fixed wall mount |
| | i3FLOORSTAND series - Display stands and floorlifts |
| Optional | i3COMPUTER OPS - Integration Computers |
| | i3ALLSYNC HDMI Transmitter (vsv0005930) |
| | Rotatable wall mount |

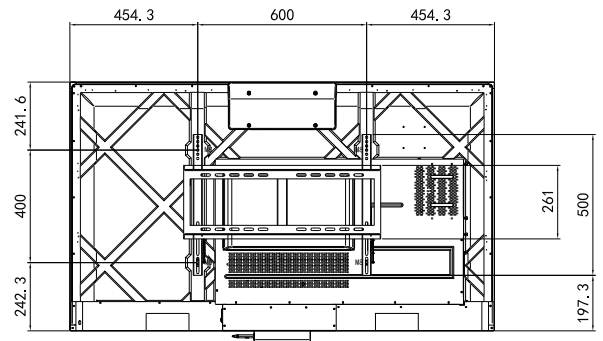
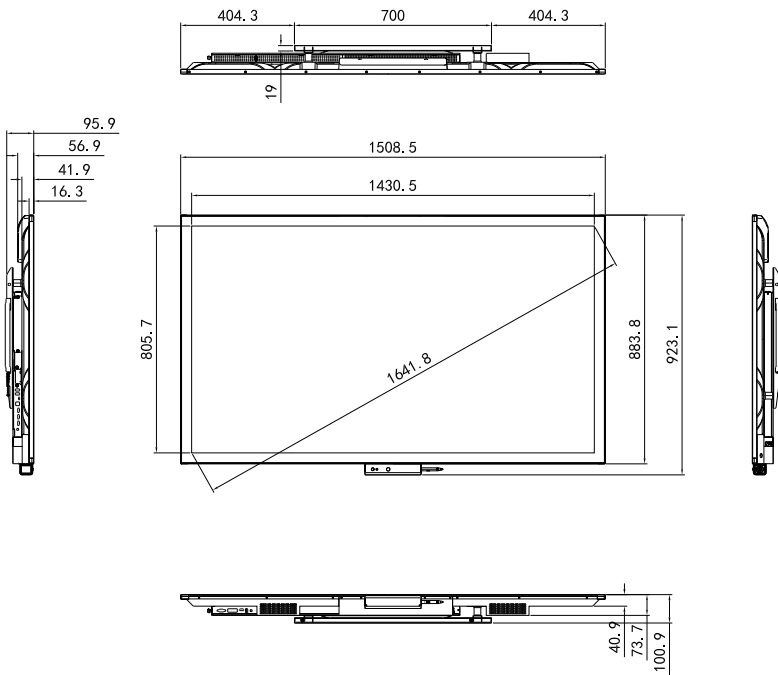
REGULATORY INFORMATION

| | |
|-----------------------|---------|
| Product Type Approval | CE, FCC |
|-----------------------|---------|

55"



65"



Wall mount

