



i3SNAP

SHARE ANALOG NOTES WITH ANYONE, ANYWHERE

Have you ever wondered how to edit and share analog whiteboard notes with colleagues on different locations?

Taking meeting notes can be a difficult task. At your next meeting with a client or vendor, instead of trying to write down everything that is written on the whiteboard, simply use i3SNAP.

i3SNAP is a convenient solution which allows you to take and share digital meeting notes. All you need is an i3SNAP dry-erase board, a whiteboard marker and a smartphone. The i3SNAP app will do the rest.

Get started: scan to download the app and you are ready to snap!

FEATURES

SNAP & SHARE:

i3SNAP brings dry-erase whiteboard use back to its essence. All you need is a marker and eraser to start making notes.

DIGITALIZE

i3SNAP digitally enhances the photos of your whiteboard notes and organizes them by meeting, keyword, tag or any parameter of your choice.

EDIT

i3SNAP traces your notes to digital ink, making them editable digitally, when linked with i3MEETINGHUB.

SHARE

Allow your colleagues easy access and email them your notes or share them in the cloud. Smart calendar integration automatically suggests the participants listed in your current calendar appointment.

SAVE MONEY

The i3SNAP app can be used on any existing device, with the software on your tablet or smartphone.

SAVE TIME

Get your meeting going in no time with only a classic whiteboard and markers. No calibration, updates or training required.

REMOTE COLLABORATION

Allow multiple participants to view the same whiteboard simultaneously. Broadcast your notes for a live conference session, and share them digitally afterwards.

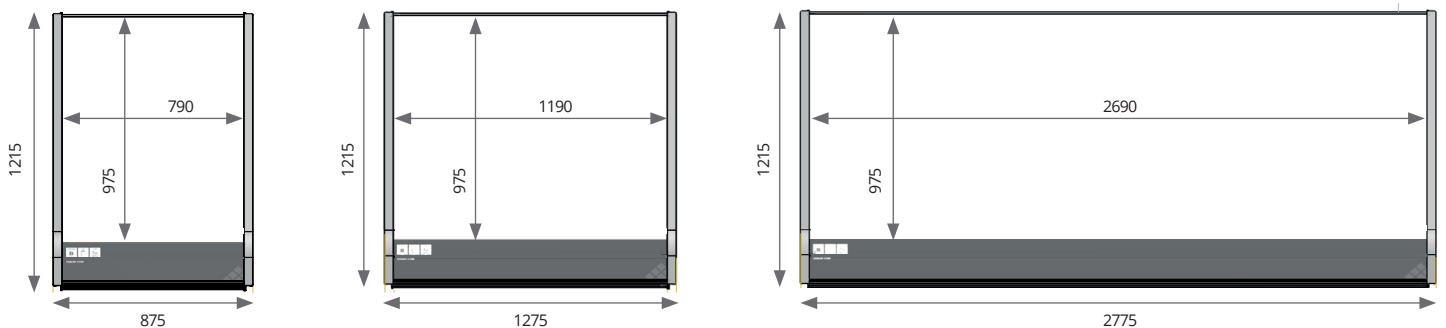


i3-TECHNOLOGIES

Model type	i3SNAP flip 57"	i3SNAP square 67"	i3SNAP wide 116"
PRODUCT DIMENSIONS			
Writing area (WxH, mm ±3)	790x975	1190x975	2690x975
Total size (WxHxD, mm ±3)	875x1215x150	1275x1215x150	2775x1215x150
Weight kg	12kg	16,5kg	37kg
SHIPPING DIMENSIONS			
Size (WxHxD, mm ±3)	925x1250x160	1325x1250x160	2825x1250x160
Weight kg	15kg	20kg	44kg
CONSTRUCTION & FINISHING			
Materials			
Frame	Aluminium		
Surface	Enamel steel - Duo surface		
Backing	Honeycomb		
Colors			
Frame	Black		
Surface	White		
INSTALLATION & MATERIALS			
Wall mounting bar	included		
Concrete wall mounting screws	included		
INCLUDED ACCESSORIES			
Whiteboard starter kit			
Refillable vibrant color markers	3		
Eraser	1		
Slim round supermagnets	4		
Replacement felt strips for eraser	10		
Inspiration sheet	1		
CR2477 batteries	2		

Model type	i3SNAP flip 57"	i3SNAP square 67"	i3SNAP wide 116"
OPTIONAL ACCESSORIES			
Mobile, Height adjustable Floorstand	Only for i3Snap flip 57" and square 67"		
Whiteboard starter kit			
Whiteboard marker kit			
Whiteboard magnet kit			
Whiteboard eraser			
i3MEETINGHUB Premium			
i3MEETINGHUB Site			
Cleaning spray			
DOCUMENTATION			
Installation manual			yes
User manual			yes
Quick start guide			yes
OTHER			
i3SNAP App	Free (iOS, Android) Unlocked when i3SNAP board detected		
WARRANTY & CARE			
Warranty	technology 2y, enamel steel 25y		
Care instructions	Dry erase and recommended cleaning products only		
ADMINISTRATIVE INFORMATION			
Norms	CE, 14334, NF		
Made in	Denmark		

TECHNICAL DRAWING*



*Sizes are in mm

AUTHORISED DISTRIBUTOR

