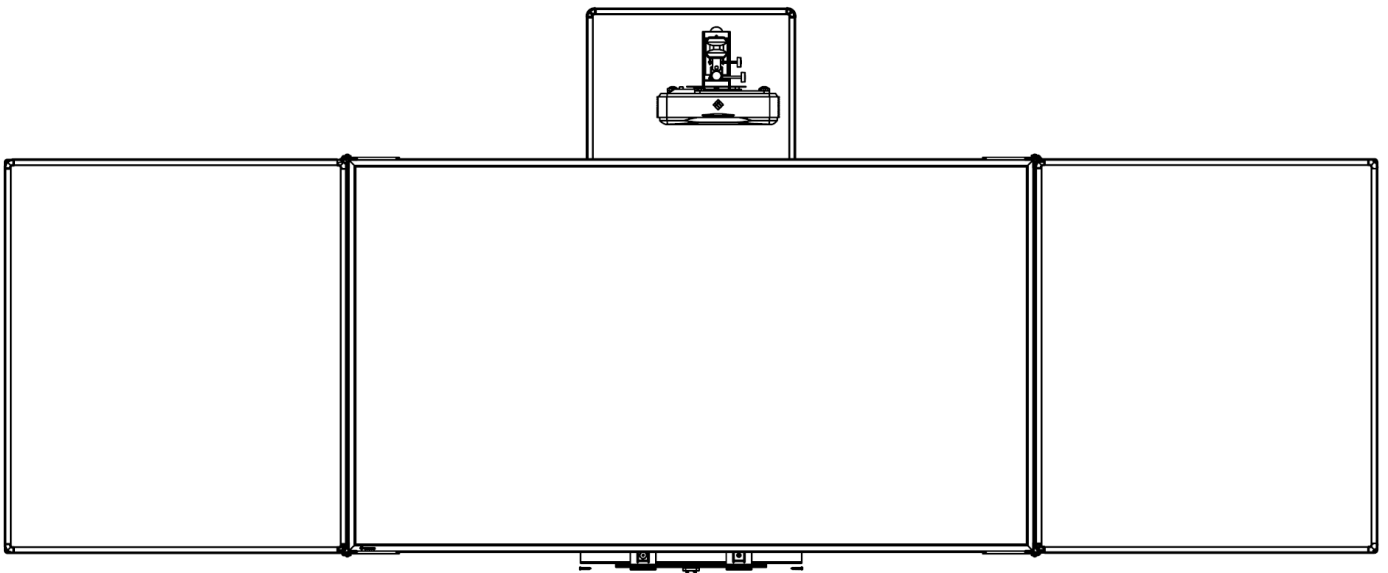


i3ADD-ON HF 04

HEIGHT ADJUSTIBLE WALL MOUNT FIXATION

Installation Manual



i3ADD-ON HF 87" for i3BOARD 8704T10 on HAWM fixation

i3ADD-ON HF 100" for i3BOARD 10004T10 on HAWM fixation



i3-TECHNOLOGIES

1. CONTENTS

Check the contents of the boxes to contain the following parts.

1x Vertical frame profile BS/L94800X



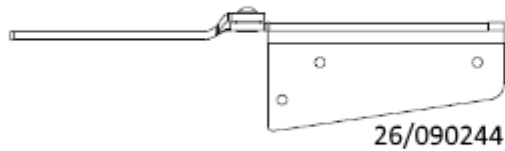
2x Horizontal frame profile



100": BS/94900X

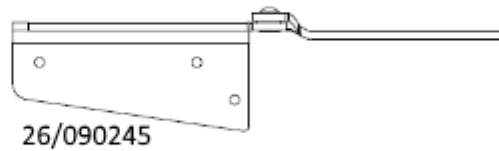
87": BS/L95000X

2x Whiteboard hinges Left



26/090244

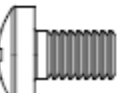
2x Whiteboard hinges Right



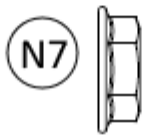
26/090245

Hardware Set (BS/A958010)


B1




N7




N8




A9




B2




B3




H4



P5

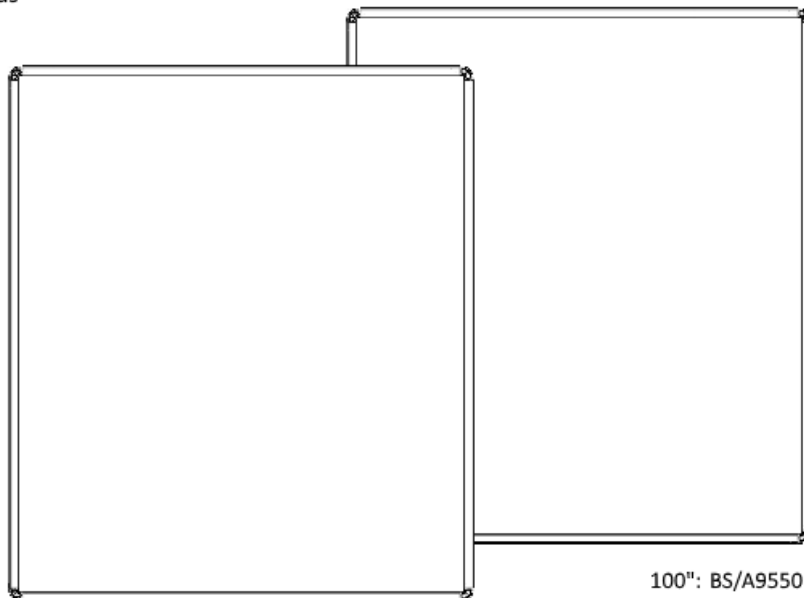


R6



#	Name	Part No°	pcs
B1	Bolt M6x10 - PH	23/090386	8
B2	Bolt M6x30 - PH	23/040538	4
B3	Bolt M6x40 - PH	23/040192	2
H4	Bolt M6x12 - HX	23/090284	12
P5	Screw 4.5x25 - PZ	23/040439	12
R6	3M BumpOn	07/090289	4
N7	Flange Nut M6	23/090275	10
N8	Square Nut M6	23/090432	6
A9	Lock Washer 6mm	07/050546	4

2x Whiteboards



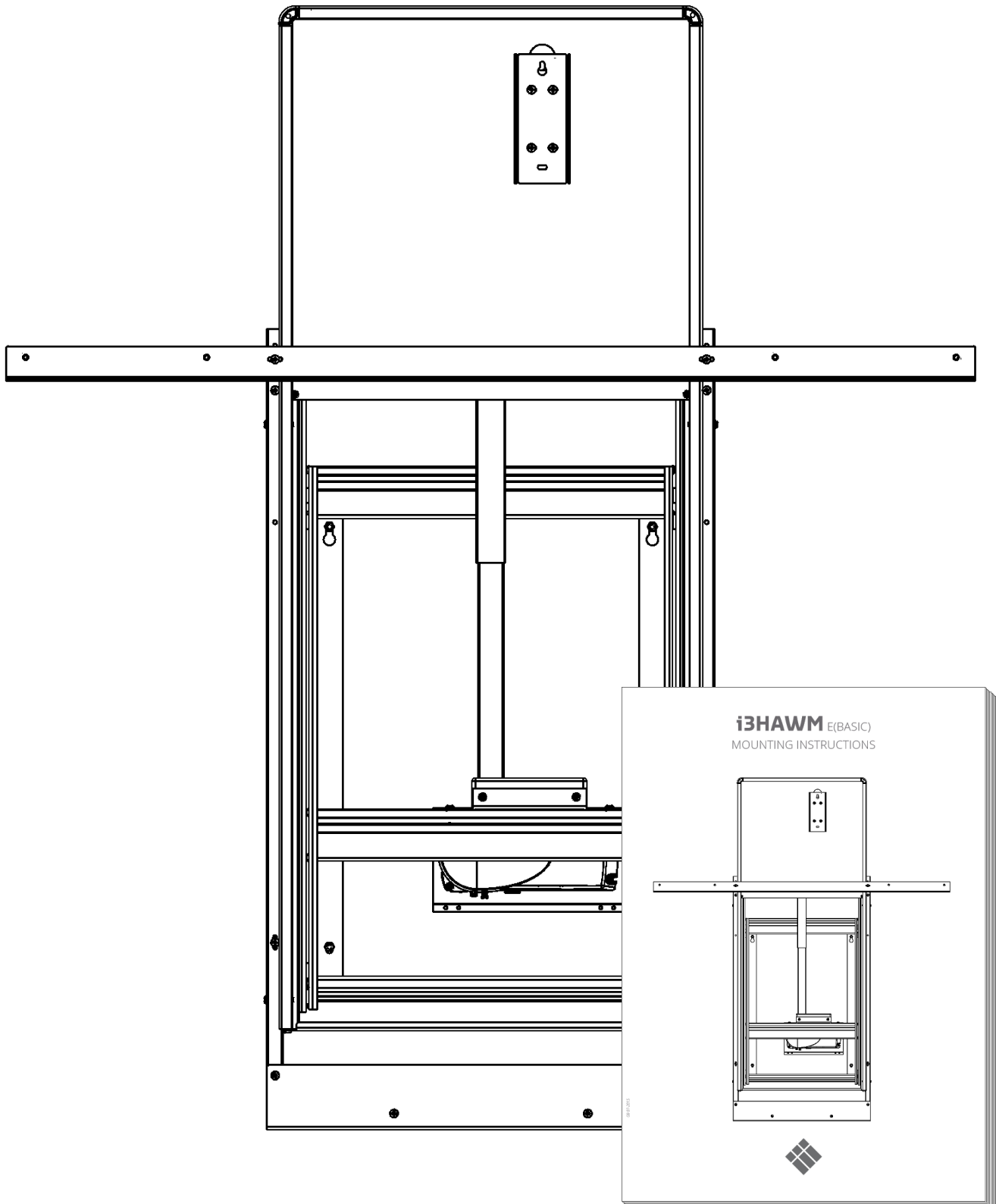
100": BS/A955010

87": BS/A954011

2. FOLLOW THE INSTRUCTIONS OF i3HAWM

The i3ADD-ON is an accessory of the i3HAWM. Complete the installation instructions that are included with the i3HAWM unit before following these instructions.

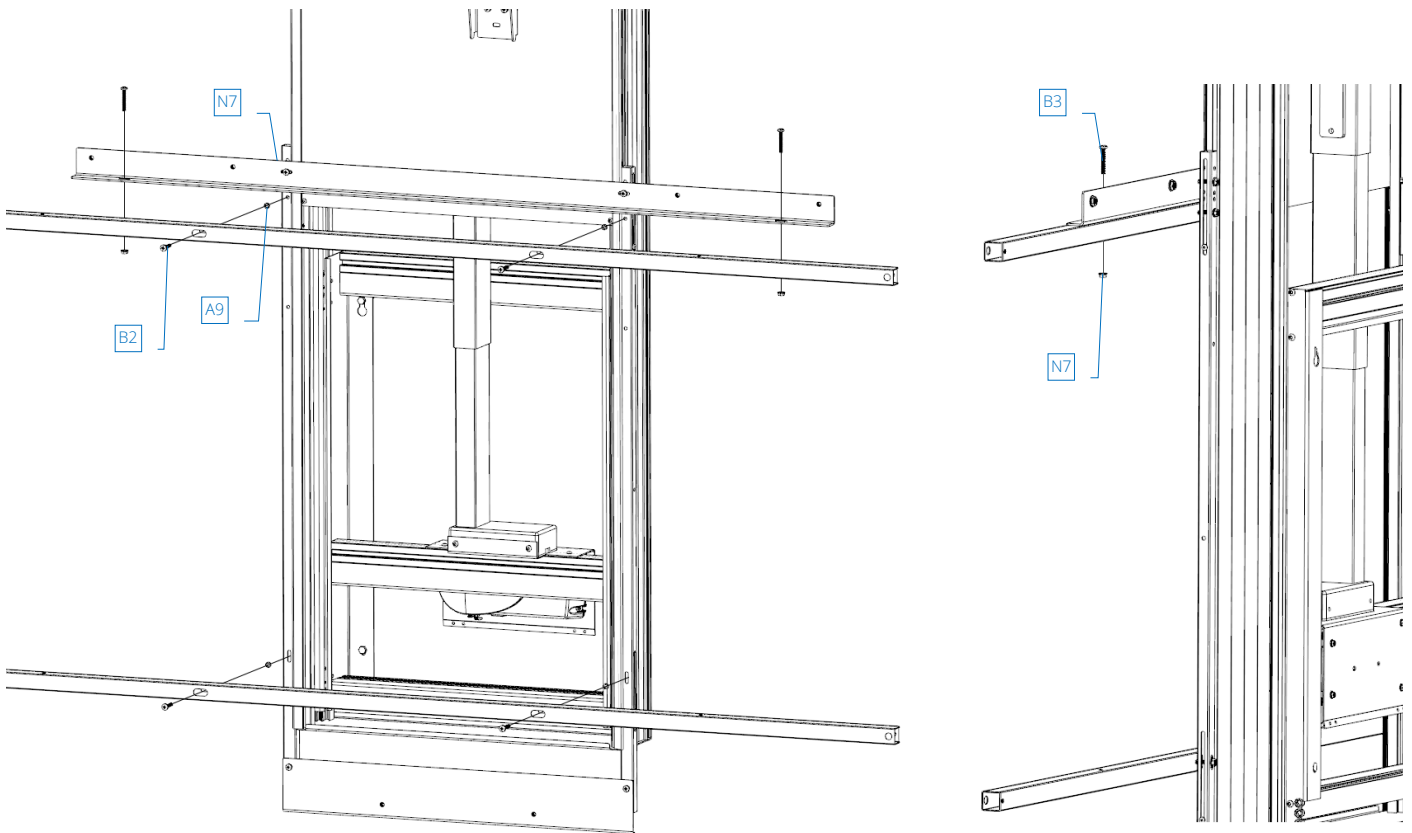
Make sure your HAWM installation is in the following state, as instructed by the included user manual.



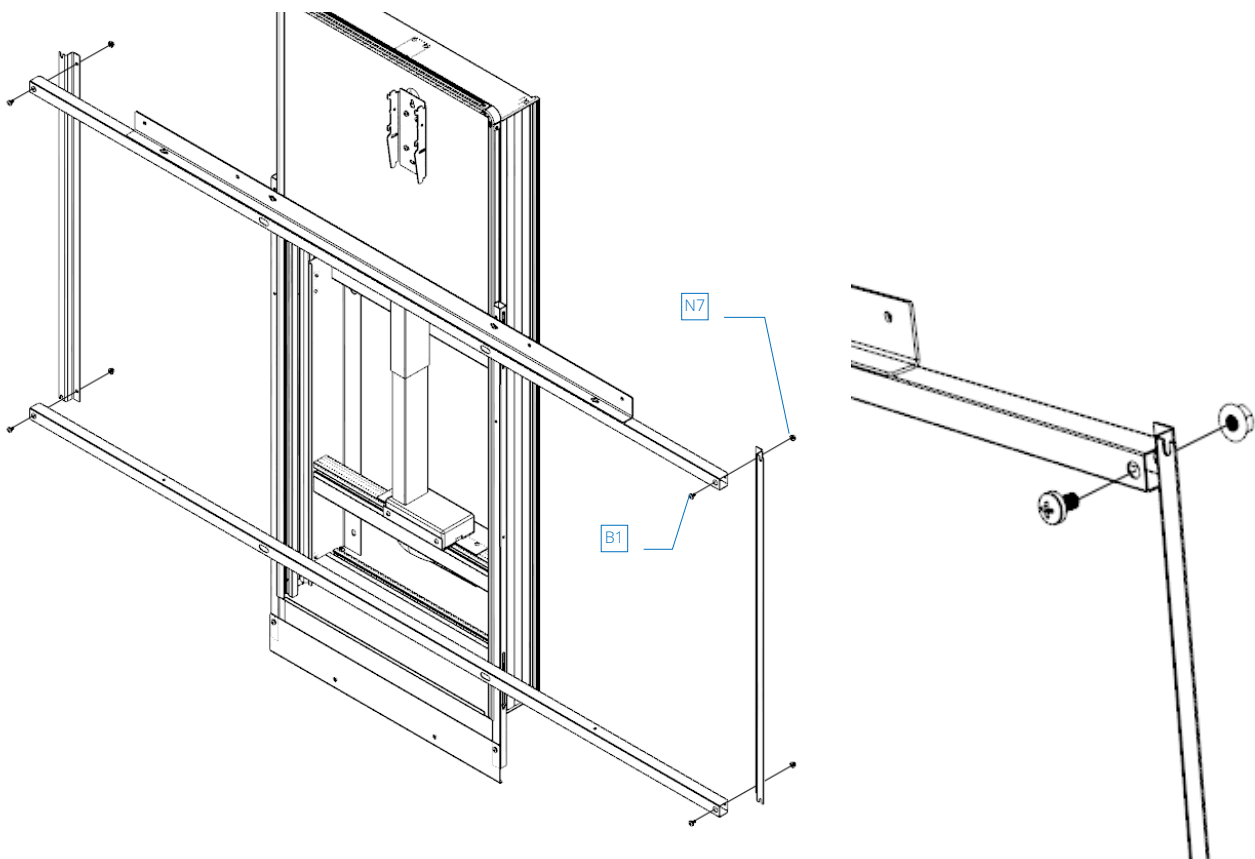
3. INSTALL THE i3BOARD SUPPORT FRAME ON i3HAWM

After the HAWM installation is completed for the i3BOARD support, add the support frame for i3BOARD with i3ADD-ON to the existing installation.

3.1 Install the horizontal support profiles



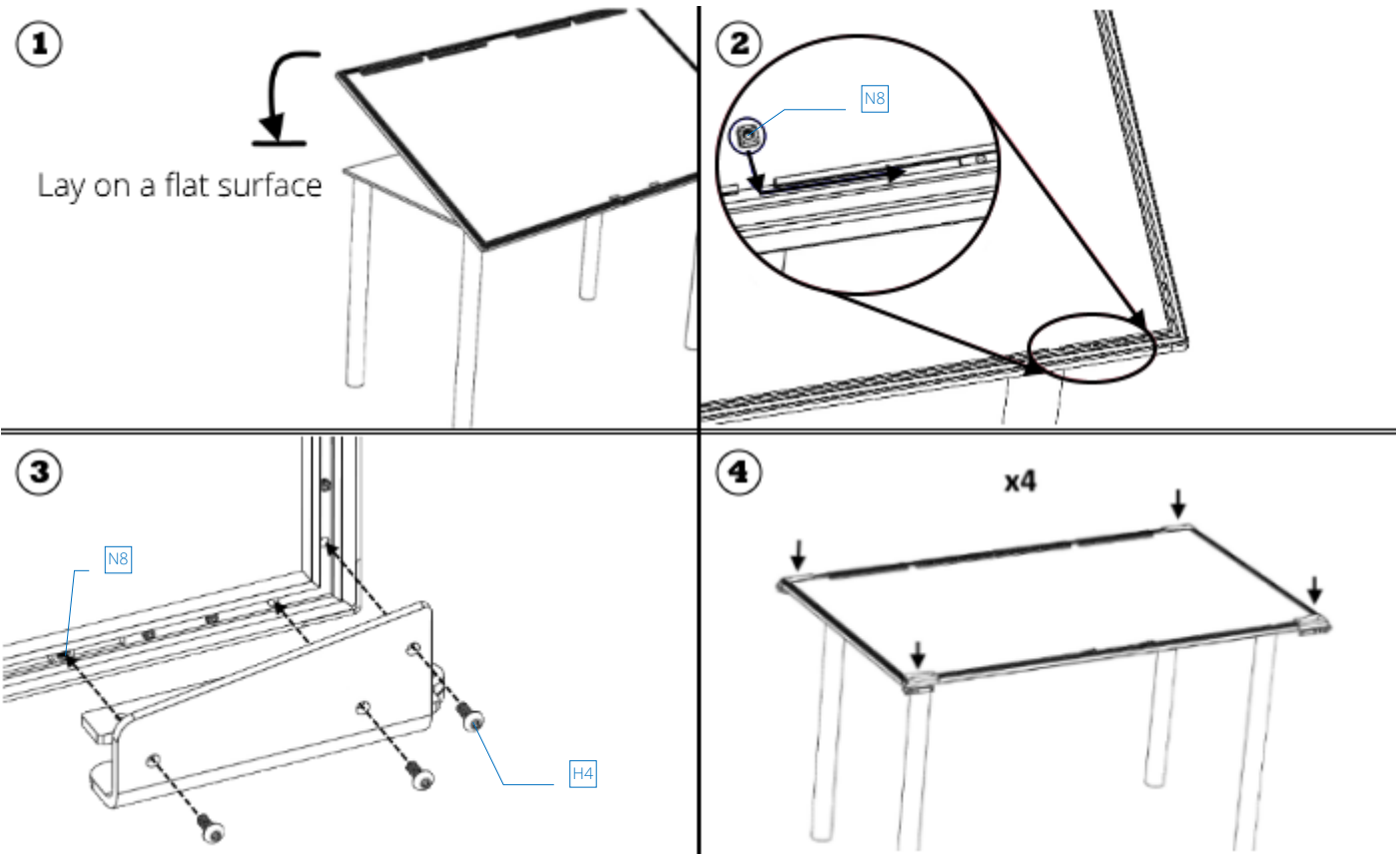
3.2 Install the vertical support profiles



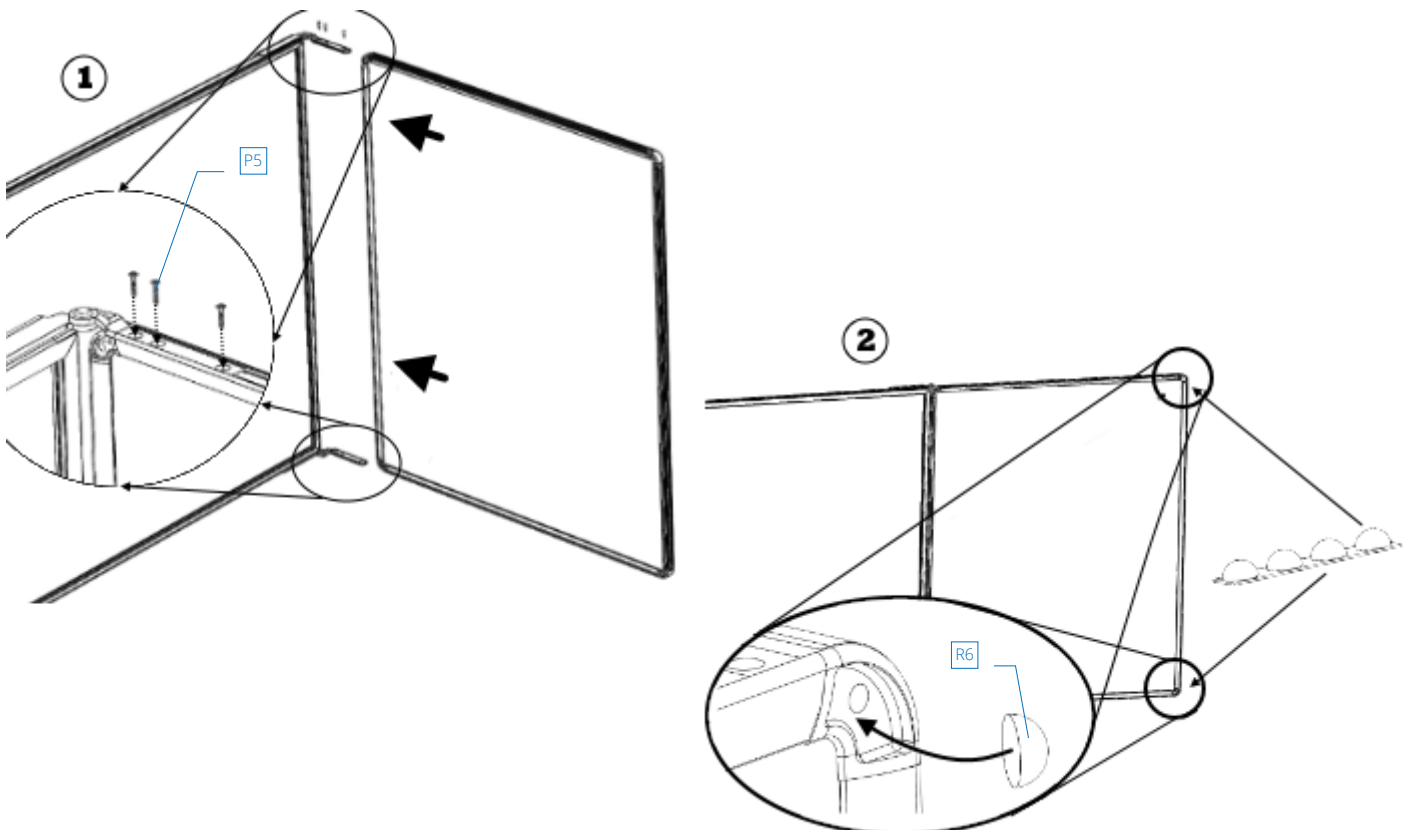
4. INSTALL THE WHITEBOARDS TO THE i3BOARD

Mount the i3ADD-ON hinges and whiteboards to the i3BOARD prior to installing the i3BOARD on the i3HAWM.

4.1 Mount the i3ADD-ON hinges



4.2 Mount the i3ADD-ON whiteboards

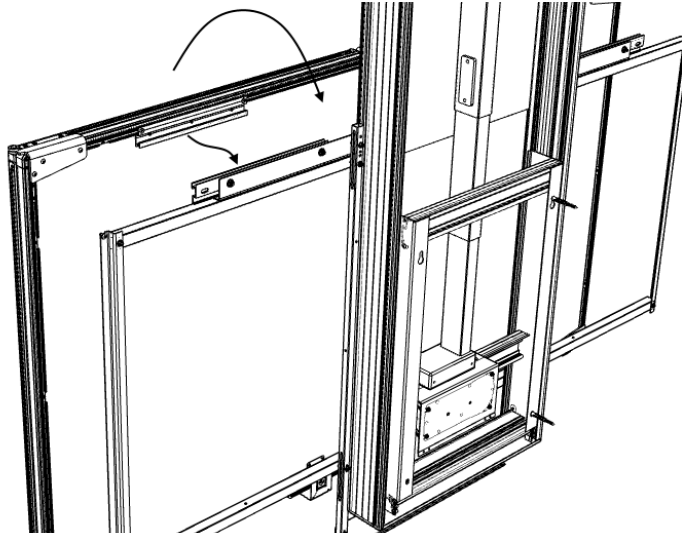


5. MOUNT THE i3BOARD AND i3ADD-ON ON THE i3HAWM

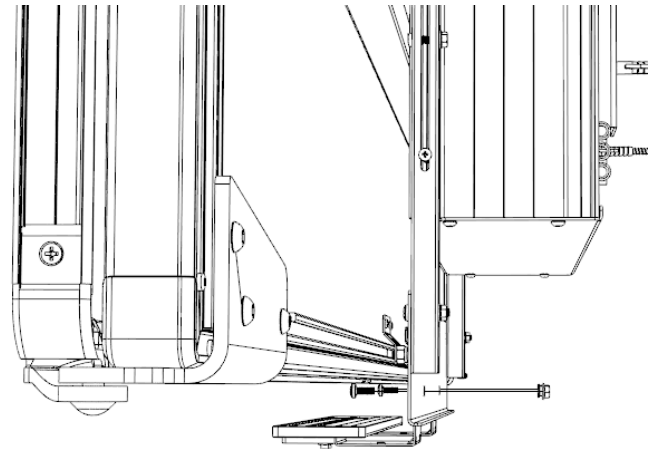
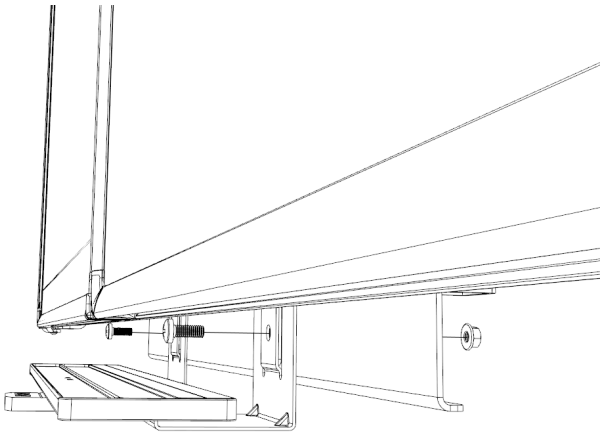
With two persons, hang the i3BOARD on the support profiles on the i3HAWM, as instructed in the Installation Manual of the i3HAWM.

Additionally, with square nuts and bolts, secure the i3BOARD to the i3ADD-ON support frame on the i3HAWM.

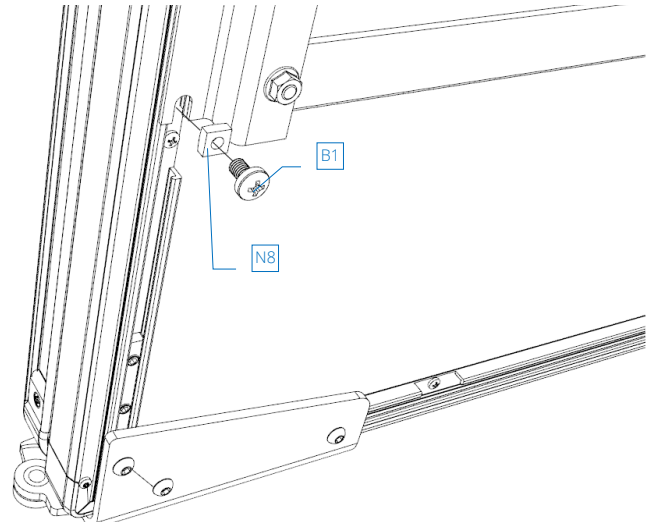
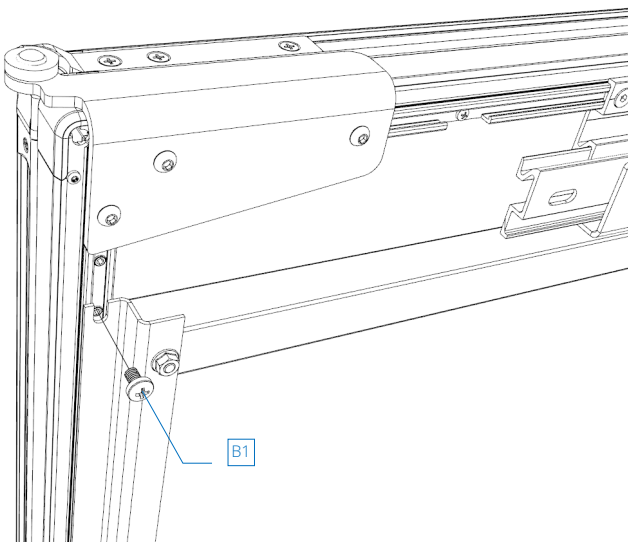
5.1 Hang the i3BOARD + i3ADD-ON on the i3HAWM.



5.2 Secure the bottom of the i3BOARD



5.3 Secure the i3BOARD to the i3ADD-ON support frame



AUTHORIZED DISTRIBUTOR



i3-TECHNOLOGIES