

i3ADD-ON WF 05

FIXED WALL MOUNTING

Installation Manual



i3ADD-ON WF 87" 05
i3ADD-ON WF 100" 05

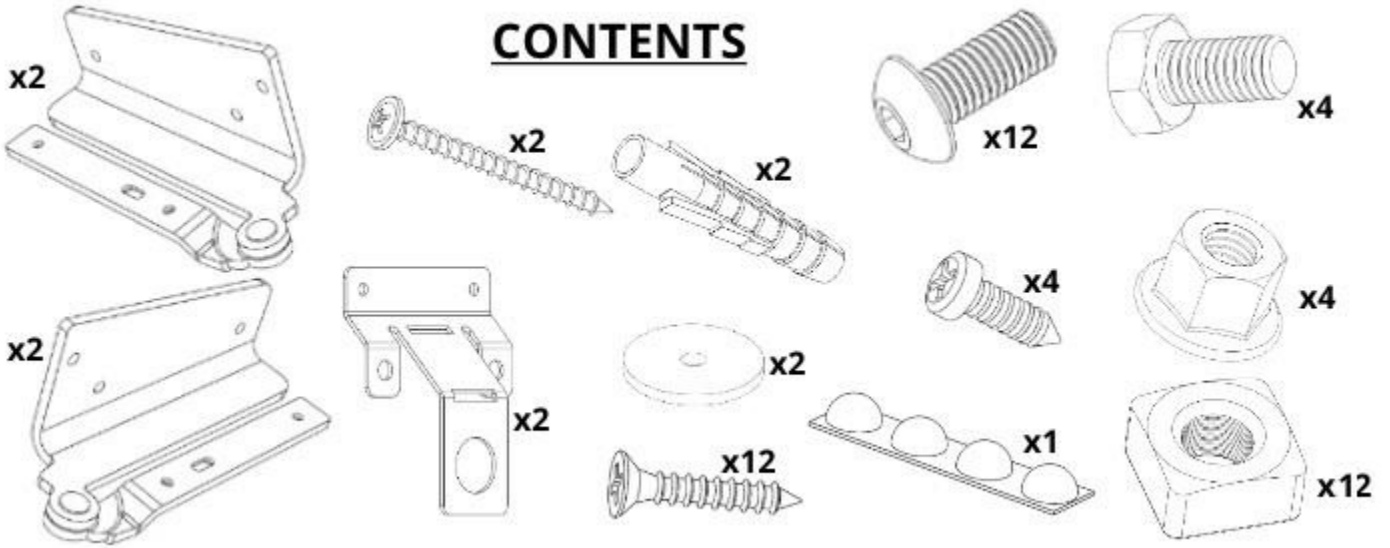


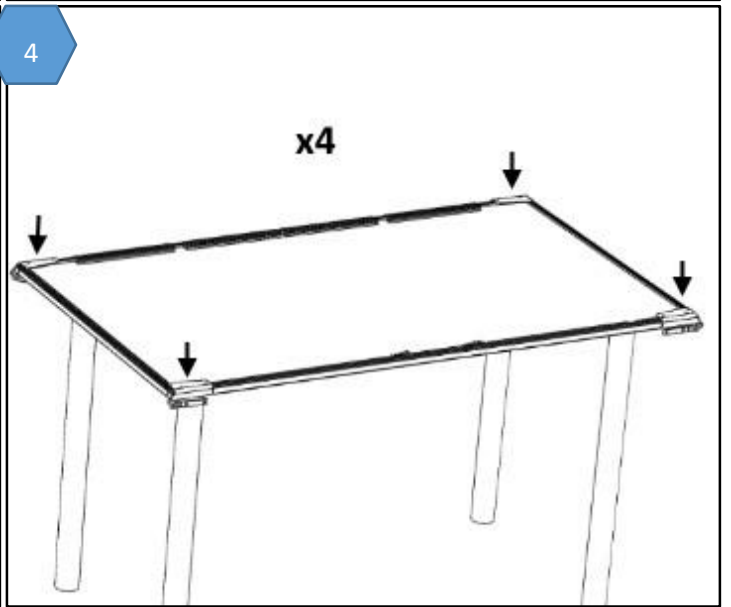
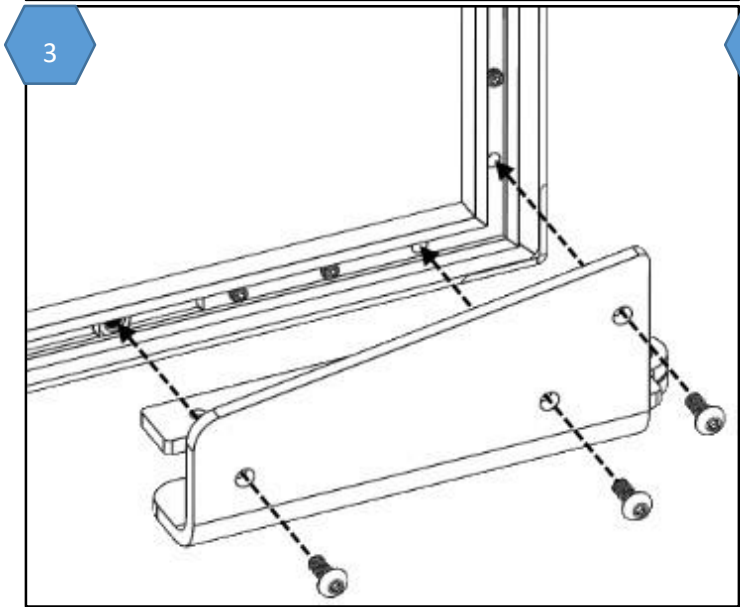
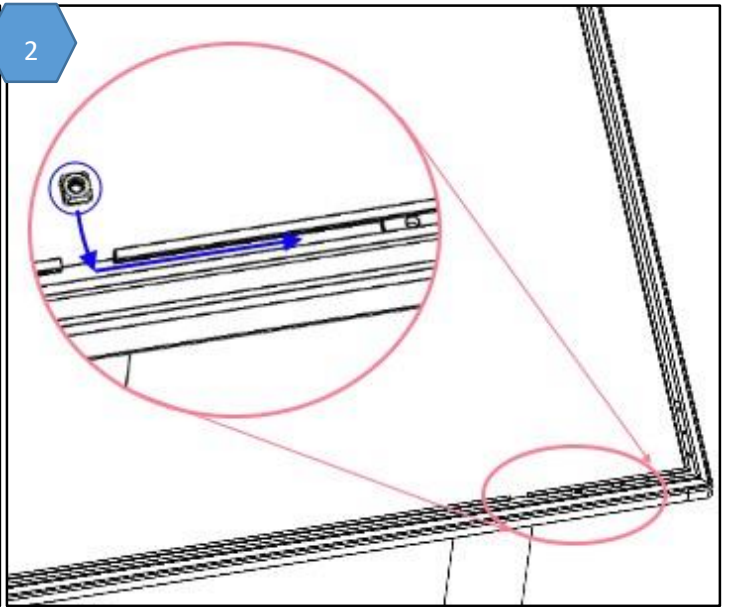
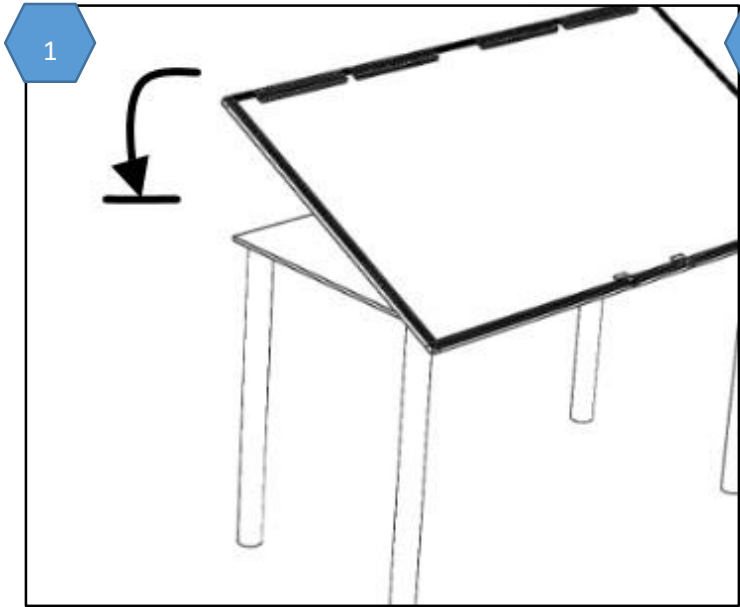
TECHNOLOGIES
www.i3-technologies.com

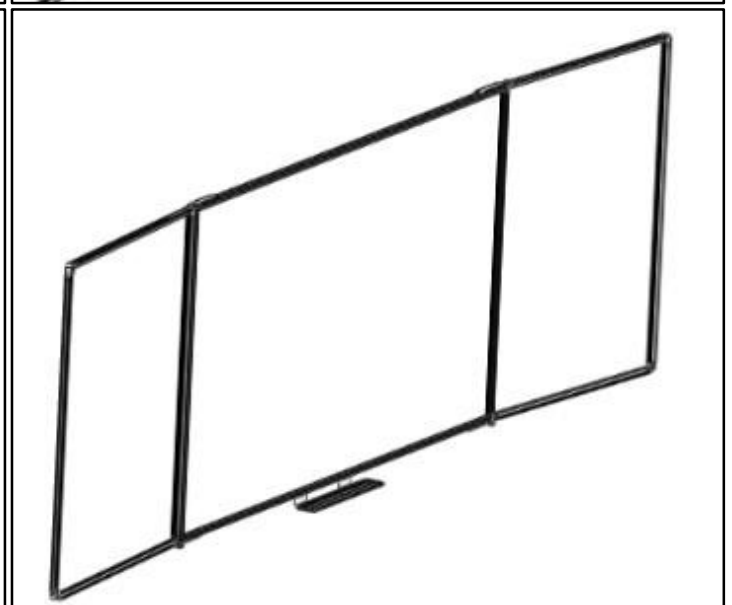
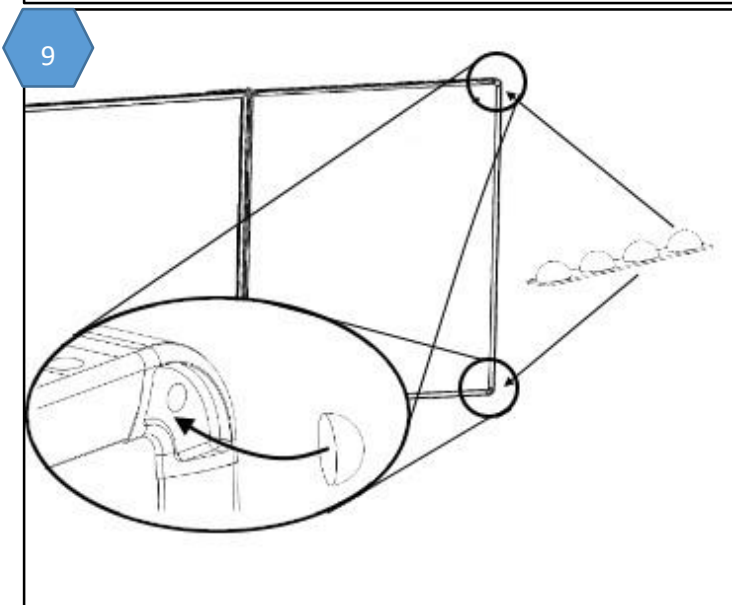
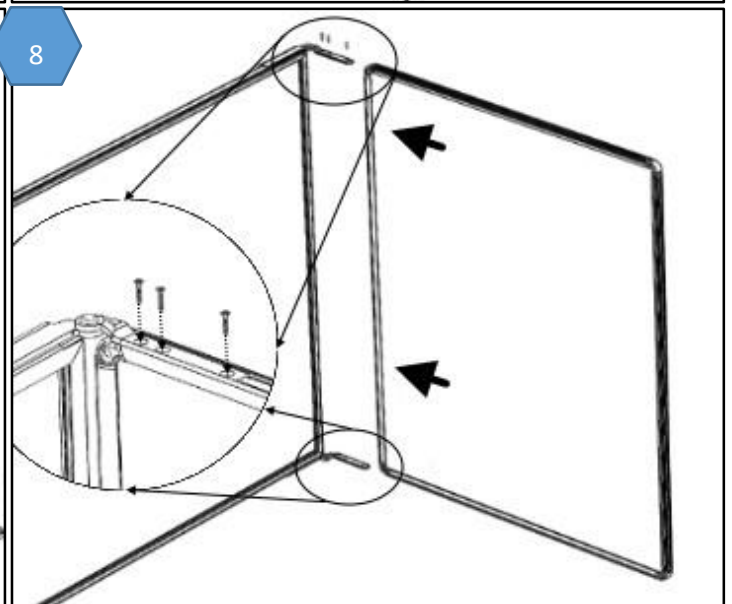
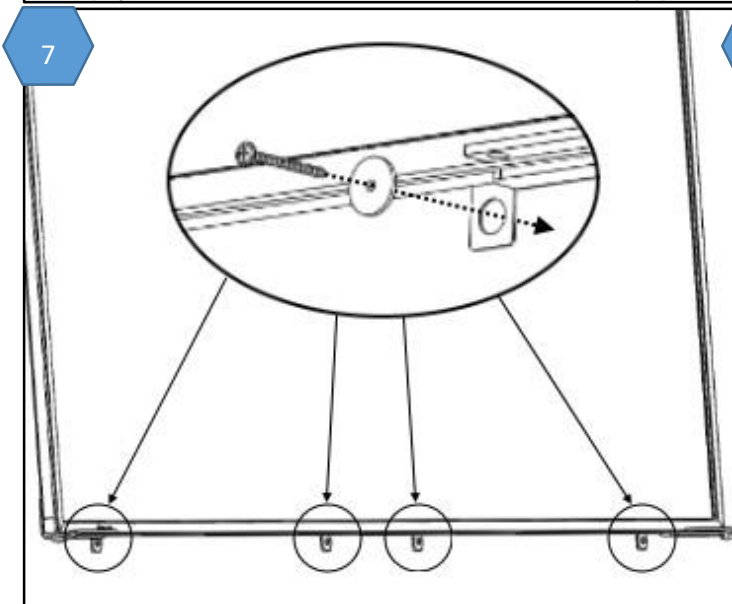
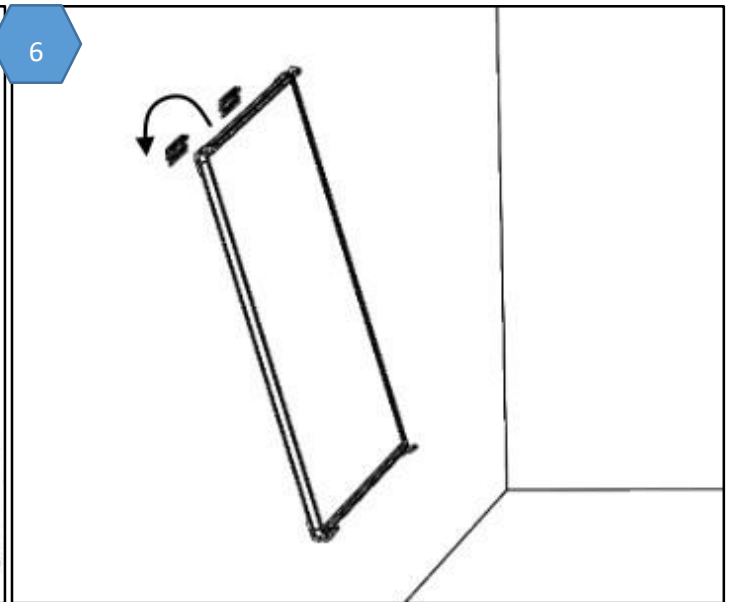
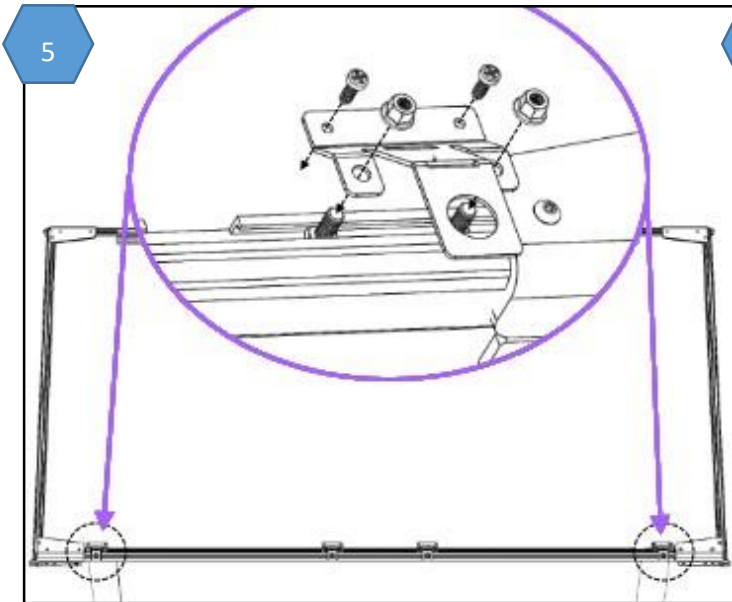


The instructions in this user manual are solely for installation of an i3ADD-ON WF 05, which is compatible with i3BOARD (gen. 04). Do not install on, or with other products, mounts, or stands. Make sure the wall is capable of carrying the load and force of this installation.

CONTENTS







AUTHORISED DISTRIBUTOR

Empty rectangular box for distributor information.



WWW.I3-TECHNOLOGIES.COM
INFO@I3-TECHNOLOGIES.COM