



## i3FLOORSTAND TIP & TOUCH STAND ELECTRIC

**VSV0004596 (max 65kg)**

**VSV0005257 (max 95kg)**

### **Tip & Touch stand (motorized tip f.) (H=660/1320mm)**

This product has specifically been developed for touch screens which would be used in the table position; we call it the Tip & Touch stand. This wheeled stand has electrical height adjustment from 730-1320 mm (table height). The Tip & Touch stand comes with an electrical tip function. Furthermore the head of the stand contains a fixed bracket with most VESA-patterns integrated. In the baseplate two sets of mounting holes are integrated. Here a double base plate is used; mount the lifts in its second position (the back position looking at the front side of the base plate). A display of max. 65 or 95 kg (max. 85 inch) can be attached. Please note: Check if your display/flat screen is suitable for horizontal use



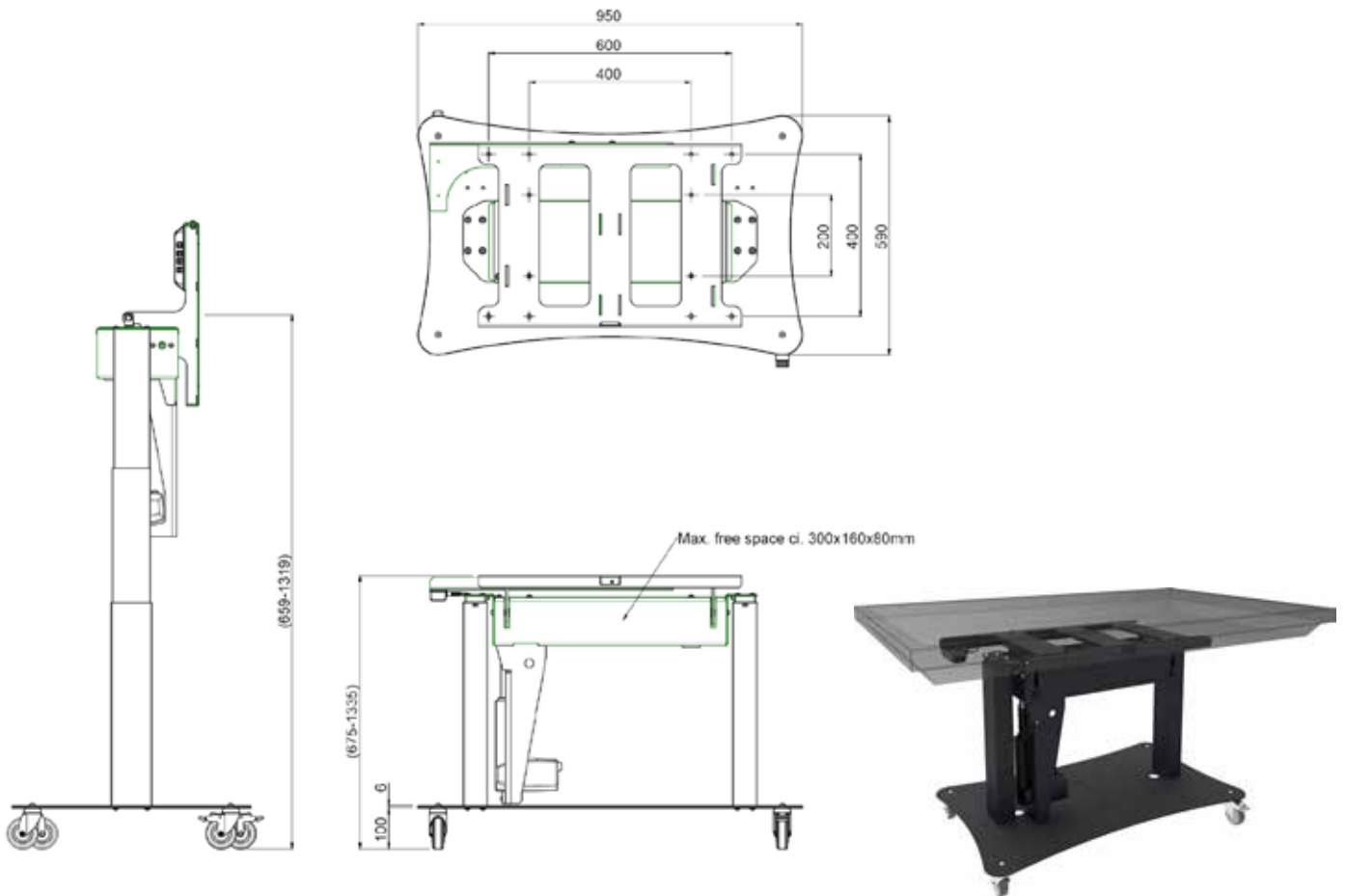
**SPECIFICATIONS**

| Model name              | Tip & touch stand manual                 |
|-------------------------|--|
| Minimal length          | 730 mm                                   |
| Maximum length          | 1320 mm (table height)                   |
| Weight                  | 66.00 kg                                 |
| Colour                  | Black                                    |
| Maximum load            | 65 kg (VSV0004596) or 95 kg (VSV0005647) |
| Inch range              | max. 85 inch                             |
| Screen position         | Landscape                                |
| Mobile / fixed          | Mobile                                   |
| Bracket/interface       | Included                                 |
| Type bracket/interface: | VESA                                     |
| Range bracket/interface | VESA 200, 400, 600-400                   |
| Tilt function           | 90°                                      |
| Other information       | Tip function: Motorized                  |
| Power Rating            | 220 Volt / 60 Hz                         |

**Warranty:**

5 year except 3 year on the electric components

**TECHNICAL DRAWINGS**



**AUTHORISED DISTRIBUTOR**