



i3TOUCH V-Sense 70"

V7003 T10

i3 offers an exciting alternative to traditional interactive board solutions, our i3TOUCH collection of digital signage and accessories is an all in one solution. i3TOUCH displays feature V-Sense technology, which ensures extremely fast and accurate display interaction, perfect for use in schools and classrooms! The i3TOUCH LCD touch solution provides crystal clear, high-definition pictures. The touch technology operates at the touch of a finger or pen and the screen reacts instantly.



STANDARD

- Up to 10 touch points
- plug & play upwards of windows 7
- gestures recognition
- V-sense touch technology: Finger, stylus or any other pen or finger shaped object.
- extremely fast
- Data USB at the front for easy access
- 4 mm Anti-Reflection safety glass
- Built-in audio amplifier and speakers
- Professional panel for 24/7 use
- LED version, 50% energy-saving
- Full range of i3TOUCH displays
- Warranty: 2 years



All i3TOUCH products are compatible with Windows, MAC and Linux!



The powerful and fast V-Sense 10 point touch recognition allows up to 10 users to simultaneously perform pen and mouse functions, erase ink and manipulate and move objects on the interactive display surface. The system recognizes individual multitouch gestures for each user, whether by finger, stylus or any other object of choice.

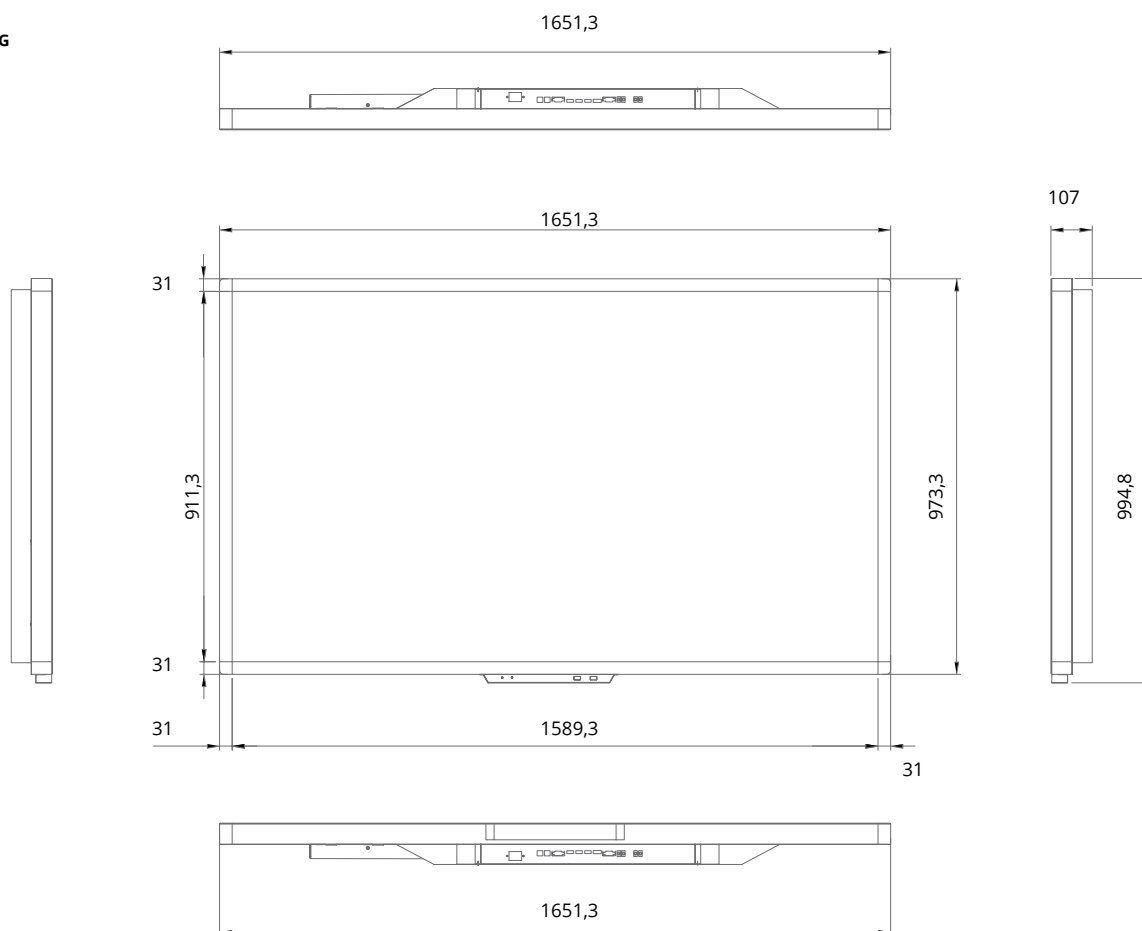
Model type	i3TOUCH V7003 T10
	70"
Display Ratio	16:09
Native resolution	1920 x 1080
Brightness	400cd/m2
Contrast ratio	4000:1
Response time	8 ms
Inputs	VGA x 1 PC AUDIO TOUCH USB x 1 HDMI x 3 Display Port x 1
Communication port	RS232 x 1
Audio power	2 x 8W
Power supply	standby power<1W complete power consumption≤435W
VESA Mount (W X H)	600 x 400 mm
Anti-collision tempered glass	Yes
Screen area	1555 (W) x 873 (H) mm
Outside dimensions	1651 (W) x 995 (B) x 107 (D)
Package dimensions	1880 (W) x 1195 (H) x 320 (D)
Net weight	83 kg
Total weight	89 kg

Touch technology	V-Sense
Touch modus	finger and pen
Touch points	10 simultaneous touches (only in Windows 7 or later)
Tempered glass	4 mm
Resolution	8096 x 8096
Response speed	4 ms

Accessories	Power cable VGA cable HDMI cable Remocon + Battery PEN x2 User Manual Wall mount
--------------------	--

Recommended Computer Configuration	CPU	min. i3 processor
	RAM	>4G
	Hard disk	>100G
	Interface	USB2.0 or above
	Screen resolution	1280*800
	USB power	>4.6V (the power of the USB cable should be more than 4.6V at the i3TOUCH)

TECHNICAL DRAWING



AUTHORISED DISTRIBUTOR