



# i3TOUCH V-Sense 55"

## V5503 T10

i3 offers an exciting alternative to traditional interactive board solutions, our i3TOUCH collection of digital signage and accessories is an all in one solution. i3TOUCH displays feature V-Sense technology, which ensures extremely fast and accurate display interaction, perfect for use in schools and classrooms! The i3TOUCH LCD touch solution provides crystal clear, high-definition pictures. The touch technology operates at the touch of a finger or pen and the screen reacts instantly.



### STANDARD

- Up to 10 touch points
- plug & play upwards of windows 7
- gestures recognition
- V-sense touch technology: Finger, stylus or any other pen or finger shaped object.
- extremely fast
- Data USB at the front for easy access
- 4 mm Anti-Reflexion safety glass
- Built-in audio amplifier and speakers
- Professional panel for 24/7 use
- LED version, 50% energy-saving
- Warranty: 2 years



All i3TOUCH products are compatible with Windows, MAC and Linux!



The powerful and fast V-Sense 10 point touch recognition allows up to 10 users to simultaneously perform pen and mouse functions, erase ink and manipulate and move objects on the interactive display surface. The system recognizes individual multitouch gestures for each user, whether by finger, stylus or any other object of choice.

<b>Model type</b>	<b>i3TOUCH V5503 T10</b>
	55"
<b>Display Ratio</b>	16:09
<b>Native resolution</b>	1920 x 1080
<b>Brightness</b>	300cd/m2
<b>Contrast ratio</b>	1400:1
<b>Response time</b>	6 ms
<b>Inputs</b>	VGA x 1 PC AUDIO TOUCH USB x 1 HDMI x 1 Display Port x 1
<b>Commnication port</b>	RS232 x 1
<b>Audio power</b>	2 x 8W
<b>Power supply</b>	standby power<1W complete power consumption≤435W
<b>VESA Mount (W X H)</b>	600 x 400 mm
<b>Anti-collision tempered glass</b>	Yes
<b>Screen area</b>	1210 x 690 mm
<b>Outside dimensions</b>	1311 (W) x 805 (H) x 101 (D) mm
<b>Package dimensions</b>	1550 (W) x 1000 (H) x 310 (D) mm
<b>Net weight</b>	53 kg
<b>Total weight</b>	60 kg

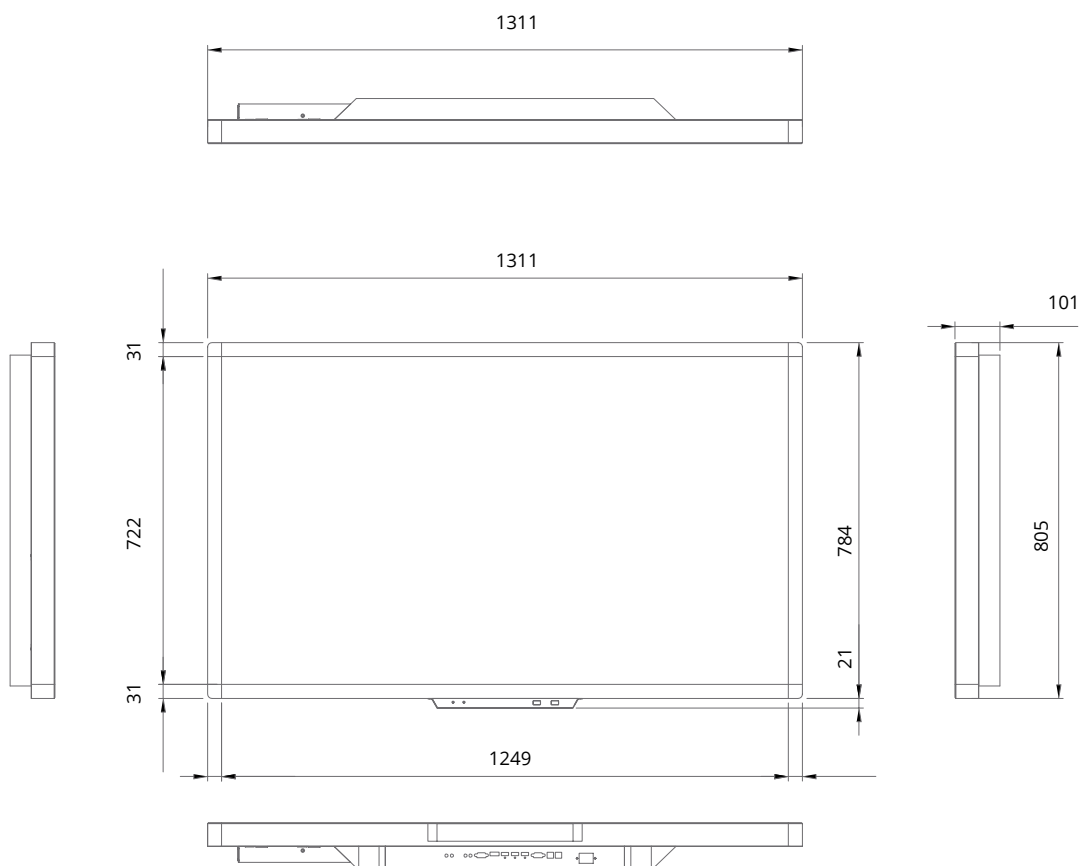
**Touch technology**

	V-Sense
<b>Touch modus</b>	finger and pen
<b>Touch points</b>	10 simultaneous touches (only in Windows 7 or later)
<b>Tempered glass</b>	4 mm
<b>Resolution</b>	8096 x 8096
<b>Response speed</b>	4 ms

<b>Accessories</b>	Power cable VGA cable HDMI cable Remocon + Battery PEN x2 User Manual Wall mount
--------------------	--

<b>Recommended Computer Configuration</b>	CPU	min. i3 processor
	RAM	>4G
	Hard disk	>100G
	Interface	USB2.0 or above
	Screen resolution	1280*800
	USB power	>4.6V (the power of the USB cable should be more than 4.6V at the i3TOUCH)

**TECHNICAL DRAWING**



**AUTHORISED DISTRIBUTOR**