

# i3TOUCH EXCELLENCE

## E0265 T10 all-in one

Excellent interactive touch display with fast & accurate V-Sense touch technology.

i3 offers an exciting, easy to use and affordable alternative to traditional interactive board solutions. The i3TOUCH E series provide crystal clear, high-definition images. The V-Sense 10-point touch technology operates at the touch of a finger or pen and reacts instantly.

### INTERACTIVE

- Up to 10 touch points
- V-sense touch technology: Finger, stylus or any other pen or finger shaped object.

### INSPIRING

- plug & play upwards of windows 7
- gestures recognition
- extremely fast
- LED version, 50% energy-saving

### INTEGRATED

- Build computer
- windows 8.1 Professional
- pen tray
- Vesa 10x10cm for i3Computer mounting
- 4 mm Anti-Reflexion safety glass
- Built-in audio amplifier and speakers
- Professional panel for 24/7 use
- Full range of i3TOUCH displays
- Warranty: 2 years



The powerful and fast V-Sense 10 point touch recognition allows up to 10 users to simultaneously perform pen and mouse functions, erase ink and manipulate and move objects on the interactive display surface. The system recognizes individual multitouch gestures for each user, whether by finger, stylus or any other object of choice.



All i3TOUCH products are compatible with Windows, MAC and Linux!

**Model type** i3TOUCH E0265 T10 all-in one

| PANEL                   |                   |
|-------------------------|-------------------|
| Diagonal Size           | 65"               |
| Panel Resolution        | 1920x1080         |
| Brightness              | 350 cd/m2         |
| Contrast Ratio          | 4000:1            |
| Response Time (G to G)  | 6.5 ms            |
| Aspect Ratio            | 16:9              |
| Display Colors          | 1.07B             |
| Viewing Angle Hor./Ver. | 178°/178°         |
| Pixel Pitch (mm)        | 0.744(W)x0.744(H) |
| Back Light Unit         | LED               |
| W x D x H (mm)          | 1455x32x832       |

| CONNECTIVITY            |                             |
|-------------------------|-----------------------------|
| Video Input             | VGA, HDMIx2                 |
| Video Output (analogue) | VGA & HDMI                  |
| Audio                   | mini-jack in, mini-jack out |
| USB (for media)         | USB A                       |
| USB (for touch)         | USB B                       |
| Communication Port      | RS232                       |
| Power                   | AC input, AC out            |

| EASY PORT       |       |
|-----------------|-------|
| Video           | HDMI  |
| USB (for media) | USB A |
| USB (for touch) | USB B |

| VIDEO            |                             |
|------------------|-----------------------------|
| Color Temp.      | Standard, Cool,Medium, Warm |
| Progressive Scan | Yes                         |

| SOUND    |         |
|----------|---------|
| Stereo   | Yes     |
| Speakers | 2 x 10W |

| FUNCTION  |  |
|-----------|--|
| Languages | English, Spanish, French,Dutch, Chinese(s),Chinese (T), Japanese.(Able to add newlanguage, option) |

|                              |              |
|------------------------------|--------------|
| Auto Ambient Detection       | Yes          |
| IPC Adaptation               | Yes          |
| Power Consumption            | < 195 Watts  |
| Power Consumption Sleep Mode | < 0.5 Watt   |
| MTBF                         | 50,000 Hours |

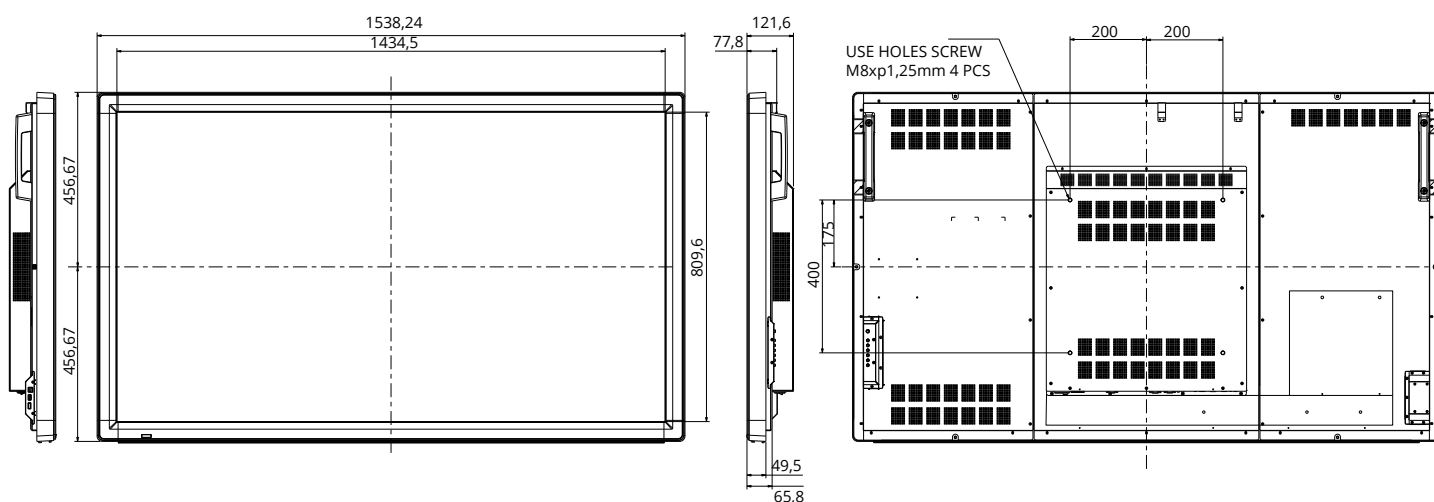
| DIMENSIONS                      |                          |
|---------------------------------|--------------------------|
| Dimensions (not incl. stand) mm | 1538 x 913 x 122         |
| Product Weight                  | 65 kgs                   |
| VESA Mount                      | 400 x 400                |
| Green Approvals                 | Lead Free,RoHS compliant |
| Regulatory Approvals            | CE/FCC                   |
| Thickness of AG Toughened Glass | 4mm                      |

| TOUCH TECHNOLOGY |  |
|------------------|--|
|                  | V-Sense  |
| Touch modus      | finger and pen                                       |
| Touch points     | 10 simultaneous touches (only in Windows 7 or later) |

|             |                   |
|-------------|-------------------|
| Accessories | Power cable       |
|             | VGA cable         |
|             | HDMI cable        |
|             | Remocon + Battery |
|             | PEN 2 x           |
|             | User Manual       |
|             | Wall mount        |

|                         |   |
|-------------------------|---|
| All-in one computer kit | Build in computer: i5 CPU, 8GB RAM, 250GB HDD |
|                         | Computer on/off, together with screen         |
|                         | pen tray                                      |
|                         | WiFi antenna                                  |

**TECHNICAL DRAWING**



**AUTHORISED DISTRIBUTOR**