



i3BOARD 8702 T10



Compared to traditional whiteboards, the i3BOARD includes several unique features. Other than stylus and finger touch recognition, the precise and reliable V-Sense touch technology design allows multi-user interaction up to 10 simultaneous touches.

The ultra-narrow aluminium frame gives the i3BOARD a sleek appearance and makes maintenance easy, lowering the long term total cost of ownership.

MAIN FEATURES

- 87 inch
- Up to 10 touch points
- Touch recognition: Finger, stylus or any other pen or finger shaped object
- Lifetime warranty on ceramic steel surface
- Compatible with dry erase whiteboard markers
- Ultrathin 24mm frame
- Easy maintenance
- High response speed
- Standard wall-mount included
- Platform independent, a perfect match for any education software
- Dust resistant V-Sense touch technology



**EXTENDED WARRANTY
EDUCATION EXCLUSIVE**
Up to 5 years. Only valid after registration
on www.i3-learning.com



SPECIFICATIONS

	Model name	i3BOARD 8702 T10
	Size	87"
	Display Aspect Ratio	16:10
Physical Specifications	Dimensions i3BOARD	1932 (W) x 1224 (H) x 34 (D) mm (48.11*75.98*1.38")
	Dimensions active area	1880 (W) x 1172 (H) mm (46.14*74.02")
	Writing surface	White Enameled steel - anti reflection
	Touch technology	V-Sense Multitouch
	Touch operation	Any opaque object, including finger, stylus...
	Touch points	10 simultaneous touches (only Windows 7 or Windows 8)
	Resolution	32767x32767
	Bezel Color	Black
	Power supply	USB
	Install method	Wall mount included
	Weight net	26,2 kg
	Weight packed	33,1 kg
	Packaging size	2070 (W) x 1355 (H) x 125 (D) mm
	Operating temperature	-15~50°C (5~122F)
	Operating humidity	20~90%
	Storage temperature	-40~50°C (-40~122F)
Storage humidity	10~95%	
Power consumption	≤400mA	
Recommended Computer Configuration	CPU	> i3 Processor
	RAM	>4GB
	Hard disk	>100GB
	Interface	USB2.0 or above
	Screen resolution	1280*800
	USB power	>4.6V (the power of the USB cable should be more than 4.6V at the i3BOARD)

Accessories	Standard accessories	USB cable, pen, pen tray
	Annotation software	i3LEARNHUB Free license - registration on i3learnhub.com
Warranty	Standard	3 years
	after registration	5 years

OPTIONAL ACCESSORIES:



i3HAWM
height adjustable wall mount system



i3SWEZZ
turn, pull, teach



i3COMPUTER
compact 24/7 cpu

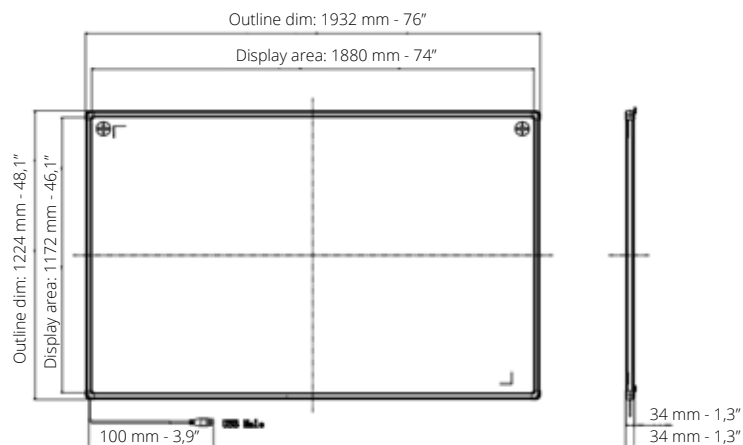


i3BOARD Extension (i3ADD-ON)
whiteboards for extra writing surface



i3HAWM manual

TECHNICAL DRAWING



AUTHORISED DISTRIBUTOR



WWW.I3-TECHNOLOGIES.COM
INFO@I3-TECHNOLOGIES.COM