



i3HUDDLE

W5502 4K C-SENSE

A PLUG & PLAY TOTAL MEETING ROOM SOLUTION THAT ALLOWS YOU TO FOCUS ON DOING YOUR JOB

Walk up to the whiteboard, draw, annotate, share and convert. No training required; it is straightforward and intuitive. i3HUDDLE is a simple, hassle-free meeting solution that connects people in a secure environment. Whether doing an online sales demo, setting up a meeting with colleagues in another location or hosting a web conference, interactive meeting has never been easier than with the i3HUDDLE total meeting solution. i3HUDDLE – your efficient and secure meeting solution around your conference table or halfway across the world.

INTERACTIVE

- Connects professionals in a secure environment
- C-sense touch technology: Finger or stylus
- Multi-user interaction with up to 10 touch points
- Very accurate: even the slightest touch can register an input

INSPIRING

- Facilitates online presentations, trainings or demos
- Intuitive, no training required
- Reduces travel time, increases efficiency, saves time
- High durability
- Extremely precise and fast response
- Increased product life span
- 4K resolution for crystal clear visuals

INTEGRATED

- Wireless presenting tool with i3SYNC
- Quick whiteboarding with i3NOTES
- *i3MEETINGHUB, Skype, Excel, PowerPoint and web browsing
- 4 mm Anti-Reflexion safety glass
- Built-in audio amplifier and speakers
- Professional panel for 24/7 use
- Standard wall-mount included
- Warranty: 3 year and 48 hour onsite swap service

*optional



CAPACITIVE TOUCH TECHNOLOGY

A capacitive touchscreen, as smartphones and tablets, uses the electrical properties of the human body. The human body is conductive, meaning electricity can pass through it. So when you touch a capacitive screen with the tip of your finger (think of it as another electrical conductor), you cause a change in the screen's electrical field. Even the slightest touch of your finger will be measured. C-SENSE is by far the most accurate and precise touch technology, with unequalled user experiences as a result.



PROTECT YOUR INVESTMENT

Our enhanced service programs and extended warranties are designed to keep your system running smoothly. From on-site service to advanced exchange options, we're committed to providing the very best service, through our network of partners. Standard the i3Huddle product comes with a 3 year warranty and 48 hour onsite swap service. Simply call our local service number indicated on your units, or your IT/AV professional.

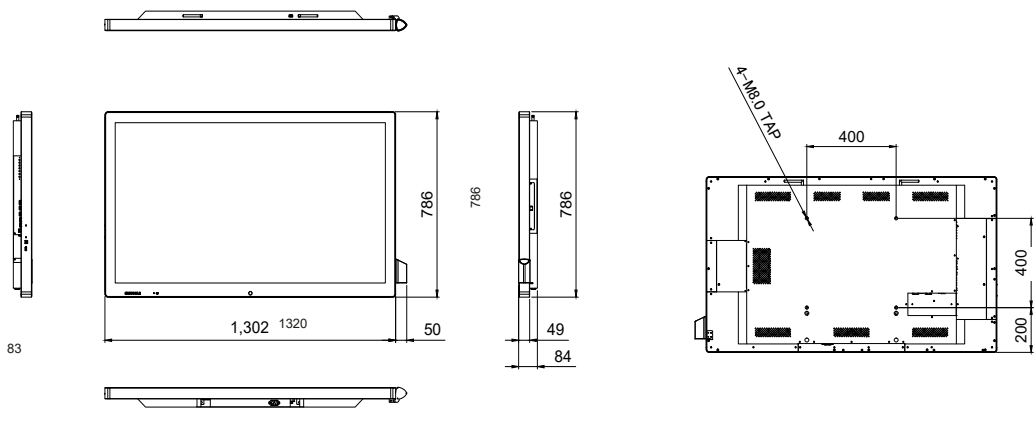


i3-TECHNOLOGIES

Model type	i3HUDDLE W5502 4K
PANEL	
Diagonal Size	55"
Native Resolution	3840x2160
Brightness	450 cd/m2
Contrast Ratio	1400:1
Response Time (G to G)	5 ms
Aspect Ratio	16:9
Display Colors	10bit(D), 1.06 B colors
Viewing Angle Hor./Ver.	178°/178°
Display Frame Rate	120 Hz
Glass	Tempered Anti-glare Glass 4mm
CONNECTIVITY	
Inputs	HDMI, USB for touch, RJ45, USB for webcam
Audio out	Mini jack
Communication Port	RS232
OPS slot	Slot included, OPS pc not included
OTHER	
Speakers	10W x 2 stereo
Touch technology	C-Sense 10 touch
Touch tool	Stylus or finger
Plug & play	Upwards Windows 7, OSX 10.6, Android, ChromeOS & Linux
Power requirement	100 - 240V AC, 50/60 Hz
Power consumption	Max. 121 W
Power consumption stand-by	< 2.4 W
MTBF	50.000h
Anti-collision tempered glass	4mm
Wireless presenting tool	i3SYNC
Dimensions	1320 x 786 x 83 mm
Dimensions package	1615 x 375 x 150 mm
Weight net	56 kg
Weight total	76 kg
VESA mount	600 x 400 mm M8
ACCESSORIES	

i3SYNC Pro FHD transmitters	2 units
i3SYNC Charge Station FHD	1 unit
Power cord	3 m
HDMI cable	3 m
USB cable A male - B male	3 m
Documentation	User manual
HDMI converter	Mini Display Port - HDMI Display Port - HDMI Mini HDMI - HDMI
Stylus	2 units
Stylus holder	1 unit
Optional accessories	i3HUDDLE OPS i3HUDDLE OPS + Interface + Apps i3SYNC FHD transmitter i3FLOORSTAND mobile

TECHNICAL DRAWING



AUTHORISED DISTRIBUTOR